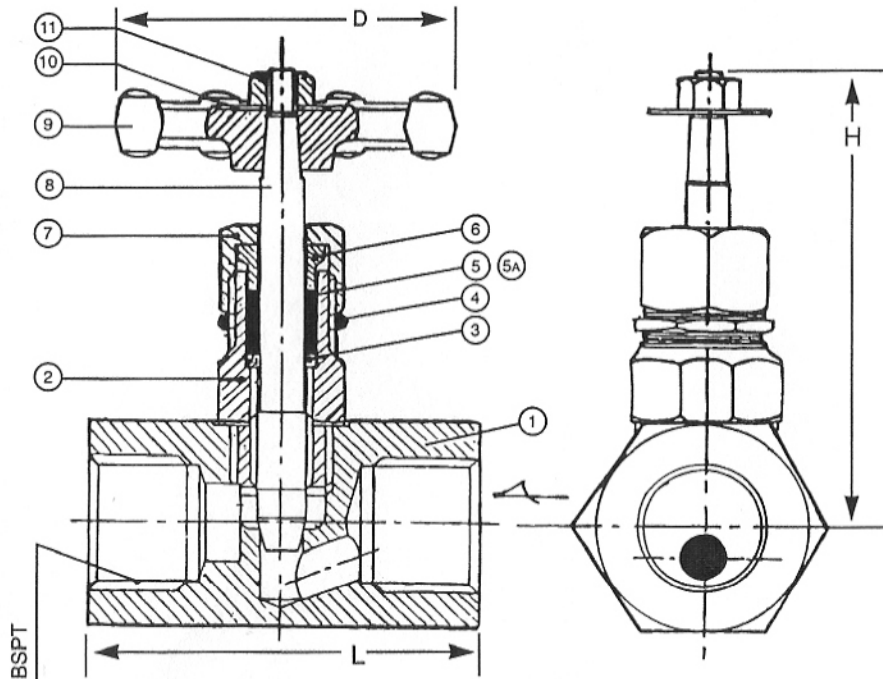


**Connections:** NPT – Socket Weld – Other  
**Options:** Handwheel, Bronze, 'T' Bar

■ **Pressures:** 55 MPa  
 Working: 40 MPa @ 100°C  
 7 MPa @ 220°C

■ **Services:** Instrumentation &  
 Hydraulic Medias  
 Steam: 7000 kPa @ 400°C – BC891



**Dimensions**

Size mm	8	10	15	20	25	32	40	50	65	80	100
L	51	51	77	82	95	127	127	TBA	.	.	.
H	77	77	77	110	110	190	190	TBA	.	.	.
D	65	65	65	90	90	150	150	TBA	.	.	.
Wt/kgs	0.4	0.4	0.6	1.2	1.5	4.0	4.0	TBA	.	.	.

Sizes: 32-40-50mm  
 Square Body

Cv – Flow Data  
 Refer  
 Drawing #112-113BC

11	HANDWHEEL NUT	STAINLESS BRASS	AISI304
10	NAMEPLATE	ALUMINIUM	
9	HANDWHEEL	ZINC ALUM	AS1874
8	SPINDLE	STAINLESS STEEL	ASTM A276 AISI316
7	GLAND NUT	STAINLESS STEEL	ASTM A276 AISI316
6	GLAND	STAINLESS STEEL	ASTM A276 AISI316
5A	GLAND PACKING	GRAPHOIL	
5	GLAND PACKING	PTFE	AS1198
4	LOCK NUT	STAINLESS STEEL	ASTM A276 AISI304
3	SEAL RING	STAINLESS STEEL	ASTM A276 AISI316
2	COVER – BONNET	STAINLESS STEEL	ASTM A276 AISI316
1	BODY	STAINLESS STEEL	ASTM A276 AISI316

ITEM	DESCRIPTION	MAT'L	STANDARD
------	-------------	-------	----------



**Braemar Valves Pty Ltd**  
 ABN 93 099 537 357  
 5 Harley Crescent  
 Condell Park NSW 2200

FIG No **BC892** STAINLESS STEEL  
 NEEDLE VALVE PN

DRAWN	RJK	1.5.98	DRAWING NO.  <b>11291-99</b>
SCALE	/	NTS	

The detail contained in this sketch/drawing is the property of Braemar Valves Pty Ltd and cannot be copied or reprinted without permission from Braemar Valves Pty Ltd or their agents.