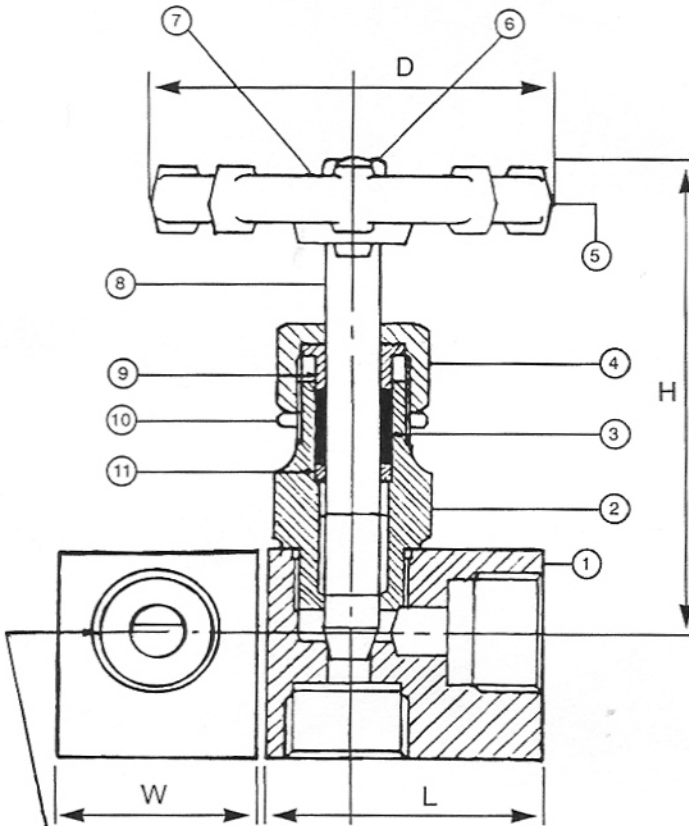


■ **Pressures: 55 MPa**
 Working: 40 MPa @ Ambient Temp
 7 MPa @ 220°C

■ **Services:** Instrumentation &
 Hydraulic Medias
 Steam: 7 MPa @ 400°C – BC891A



Connections: BSPT (AS1722.1) Std
Options: NPT – Socket Weld – Other

Dimensions

Size mm	6	8	10	15	20
L	38	38	38	58	58
H	77	77	77	84	108
D	55	55	55	55	65
W	25	25	25	40	40
Wt/kgs	0.4	0.4	0.4	0.75	0.75

Also available as Carbon Steel
 BC791A BC792A

- Ⓘ **BC891A** • Graphoil Gland
- Ⓜ **BC892A** • PTFE Gland

* Option – 'T' Bar

11	SEAL RING	STAINLESS STEEL	ASTMA276 AISI316
10	LOCK NUT	STAINLESS STEEL	AISI304
9	GLAND FOLLOWER	STAINLESS STEEL	ASTMA276 AISI316
8	SPINDLE	STAINLESS STEEL	ASTMA276 AISI316
7	NAMEPLATE	ALUMINIUM	
6	HANDWHEEL NUT	STAINLESS STEEL/BRASS	AISI304
5	HANDWHEEL *	ZINC ALUM BRONZE	AS1874 AS1565
4	GLAND NUT	STAINLESS STEEL	ASTMA276 AISI316
3	GLAND PACKING Ⓜ	PTFE	AS1198
2	GLAND PACKING Ⓘ	GRAPHOIL	
2	COVER	STAINLESS STEEL	ASTMA276 AISI316
1	BODY	STAINLESS STEEL	ASTMA276 AISI316

ITEM	DESCRIPTION	MAT'L	STANDARD
------	-------------	-------	----------



Braemar Valves Pty Ltd
 ABN 93 099 537 357
 5 Harley Crescent
 Condell Park NSW 2200

FIG No **BC892A** STAINLESS STEEL
 NEEDLE VALVE PN

DRAWN	RJK	30.5.98	DRAWING NO.
			11310-16
SCALE	/	NTS	

The detail contained in this sketch/drawing is the property of Braemar Valves Pty Ltd and cannot be copied or reprinted without permission from Braemar Valves Pty Ltd or their agents.