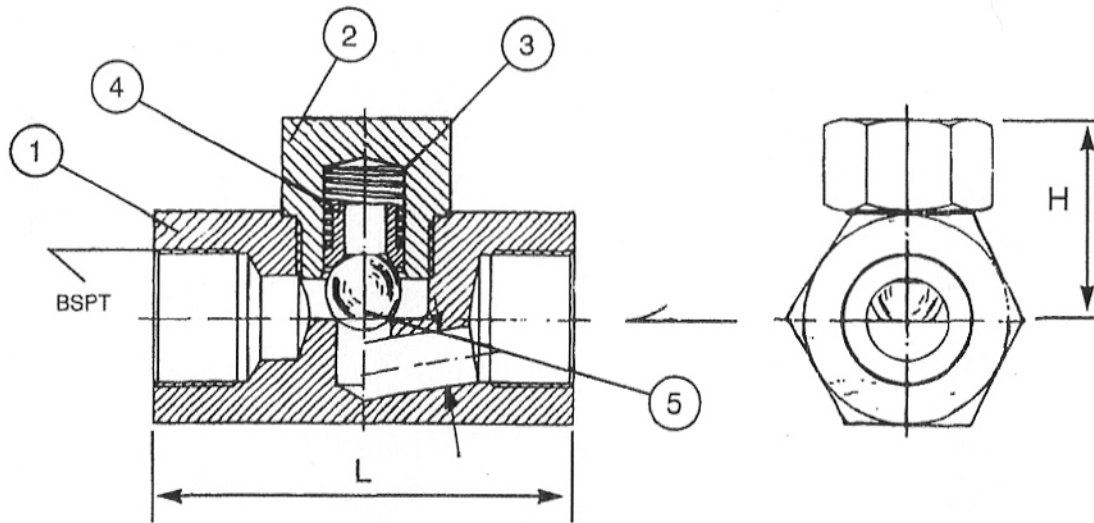


- Options:**
- Special Springs for specific Cracking Pressures. ⑤
  - Ball options for Air & Gases. ⑥

■ **Pressures:** 55 MPa  
 Working: 40 MPa @ 100°C  
 10 MPa @ 250°C

■ **Services:** Instrumentation and Hydraulic Medias, Liquids and Gases  
 Steam: 7 MPa @ 400°C



**Connections:** BSPT (AS1722.1) Std  
**Options – NPT Threads: Socket Weld:**  
 Compression Types

**Dimensions**

Size mm	8	10	15	20	25	32	40	50	65	80	100
L	51	51	77	82	95	127	127	TBA	•	•	•
H	26	26	26	43	46	56	56	TBA	•	•	•
D	4.8	4.8	6.3	7.5	9.5	17.5	17.5	TBA	•	•	•
Wt/kgs	0.3	0.3	0.4	0.9	1.1	4.0	4.0	TBA	•	•	•

ITEM	DESCRIPTION	MAT'L	STANDARD
5	BALL – VALVE	STAINLESS STEEL	AISI302
4	SPRING RETAINER	STAINLESS STEEL	ASTM A276 AISI316
3	SPRING	STAINLESS STEEL	JIS64313 GR304
2	COVER	STAINLESS STEEL	ASTM A276 AISI316
1	BODY	STAINLESS STEEL	ASTM A276 AISI316



**Braemar Valves Pty Ltd**  
 ABN 93 099 537 357  
 5 Harley Crescent  
 Condell Park NSW 2200

FIG No **CC894** STAINLESS STEEL – 50MPa  
 BALL CHECK VALVE

DRAWN	RJK	30.5.98	DRAWING NO. <b>11304-08</b>
SCALE	/	NTS	

The detail contained in this sketch/drawing is the property of Braemar Valves Pty Ltd and cannot be copied or reprinted without permission from Braemar Valves Pty Ltd or their agents.