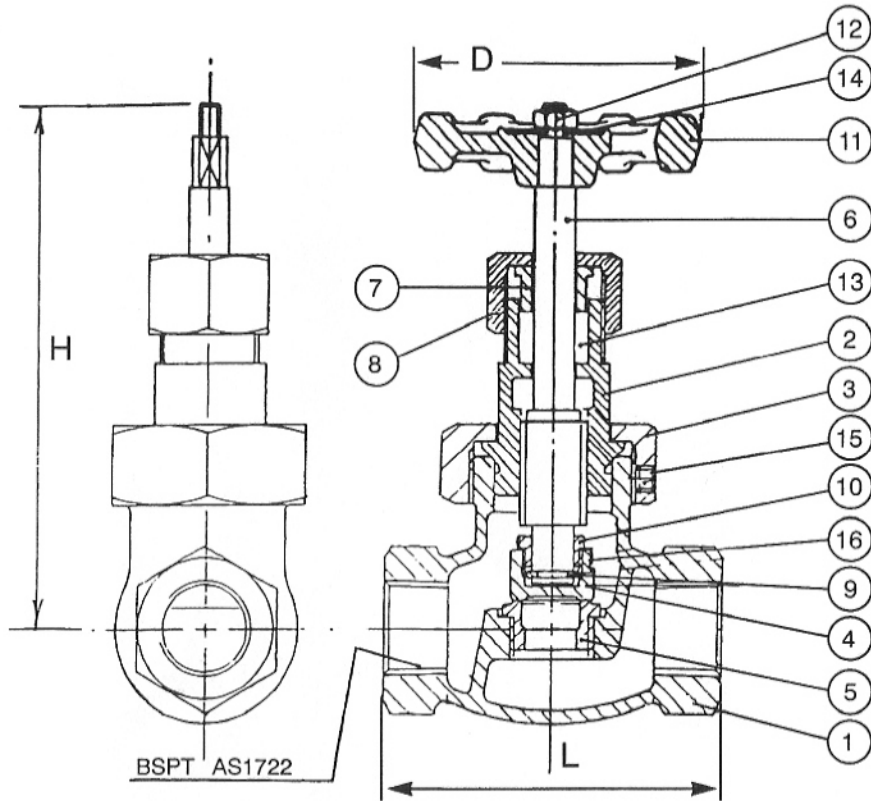


**Options:** ① Handwheels – A Bronze – B Black Fibre Plastic

**Pressures:** 2400 kPa CWP  
Steam: 1400 kPa @ 180°C



\* Union Bonnet Style

**Dimensions**

Size mm	8	10	15	20	25	32	40	50	65	80	100
L	76	76	76	88	105	120	140	175	•	•	•
H	115	115	115	125	136	160	190	190	•	•	•
D	65	65	65	65	90	90	120	120	•	•	•
Wt/kgs	1.0	1.0	1.0	1.4	2.1	3.1	4.8	7.5	•	•	•

16	TAB WASHER	STAINLESS STEEL	
15	GRUB SCREW	STAINLESS STEEL	
14	NAMEPLATE	ALUMINIUM	
13	PACKING	GRAPHOIL	
12	HANDWHEEL NUT	DR BRASS	AS1567 360
11	HANDWHEEL	ZINC ALUM	AS1274
10	RETAINER NUT	DR BRASS	AS1567 360
9	SPLIT COLLAR	DR BRASS	AS1567 360
8	GLAND NUT	DR BRASS	AS1567 360
7	GLAND	DR BRASS	AS1567 360
6	SPINDLE	MANG. BRONZE	AS1567 686D
5	VALVE SEAT	STAINLESS STEEL	AS2837 -431
4	VALVE DISC / DISC HOLDER	S/S / RTFE	AS2837 / -431 / -
3	BONNET NUT*	BRONZE	AS1565 C83800
2	BONNET*	BRONZE	AS1565 C83800
1	BODY	BRONZE	AS1565 C83800

ITEM	DESCRIPTION	MAT'L	STANDARD
------	-------------	-------	----------



**Braemar Valves Pty Ltd**  
ABN 93 099 537 357  
5 Harley Crescent  
Condell Park NSW 2200

FIG No  
**T101** STERLING SERIES GLOBE VALVE – SCREWED AS1271

DRAWN		DRAWING NO.
SCALE	NTS	<b>25600</b>

FORM# 1297/1

The detail contained in this sketch/drawing is the property of Braemar Valves Pty Ltd and cannot be copied or printed without permission from Braemar Valves Pty Ltd or their agents.