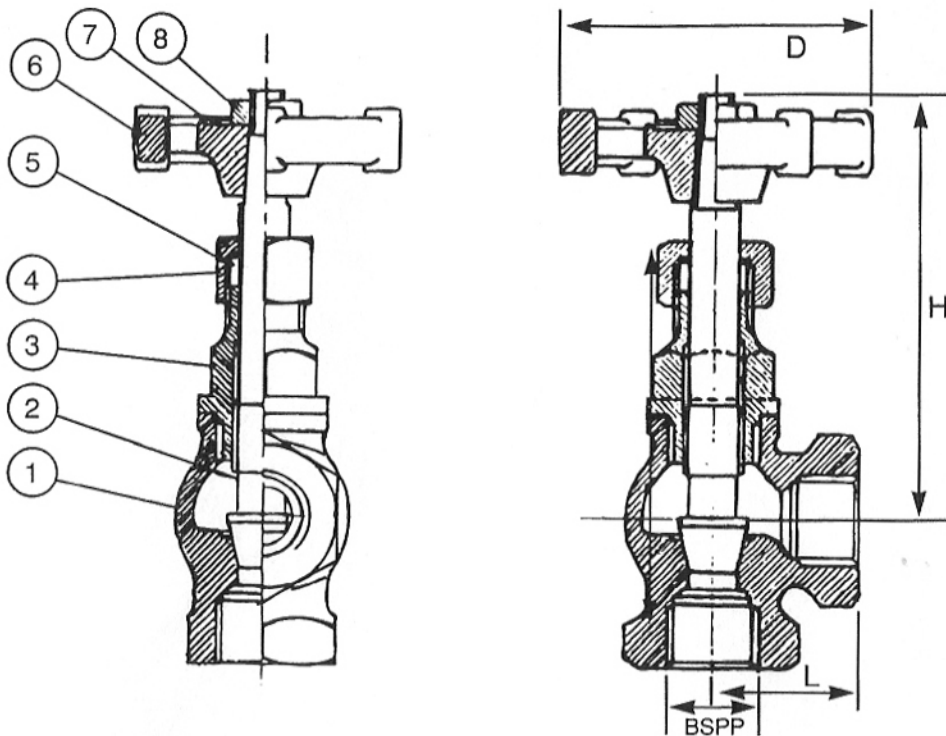


Options: Bronze Handwheels & 'T' Bars ①

■ **Pressures:** 2100 kPa CWP
Steam: 1400 kPa @ 200°C

■ **Standards:** Dezincification Resistant
BS 5154-1991: Globe Stop & Check Valves
AS 3855: Materials suitable for Potable Water Service



Dimensions

Size mm	6 & 8	10	15	20	25	32	40	50	65	80	100
L	25	27	33	35	•	•	•	•	•	•	•
H	76	87	87	98	•	•	•	•	•	•	•
D	55	55	55	65	•	•	•	•	•	•	•
Wt/kgs	0.3	0.4	0.5	0.7	•	•	•	•	•	•	•

ITEM	DESCRIPTION	MAT'L	STANDARD
8	HANDWHEEL NUT	BRASS	
7	NAMEPLATE		
6	HANDWHEEL	ZINC ALUM BRONZE	AS1874 AS1565
5	GLAND PACKING	PTFE	AS1198
4	GLAND NUT	DR BRASS	AS1567 -352
3	COVER - BONNET	DR BRASS	AS1567 -352
2	SPINDLE NEEDLE DISC	DR BRASS	AS1567 -352
1	BODY	GUNMETAL BRONZE	AS1565 C83600M



Braemar Valves Pty Ltd
ABN 93 099 537 357
5 Harley Crescent
Condell Park NSW 2200

FIG No
T1AN BRONZE NEEDLE VALVE
ANGLE SCREWED CLASS 21
PN 20

DRAWN	RJK	28.4.98	DRAWING NO.
			11276-80
SCALE	/	NTS	

The detail contained in this sketch/drawing is the property of Braemar Valves Pty Ltd and cannot be copied or reprinted without permission from Braemar Valves Pty Ltd or their agents.

FORM# 1297/1