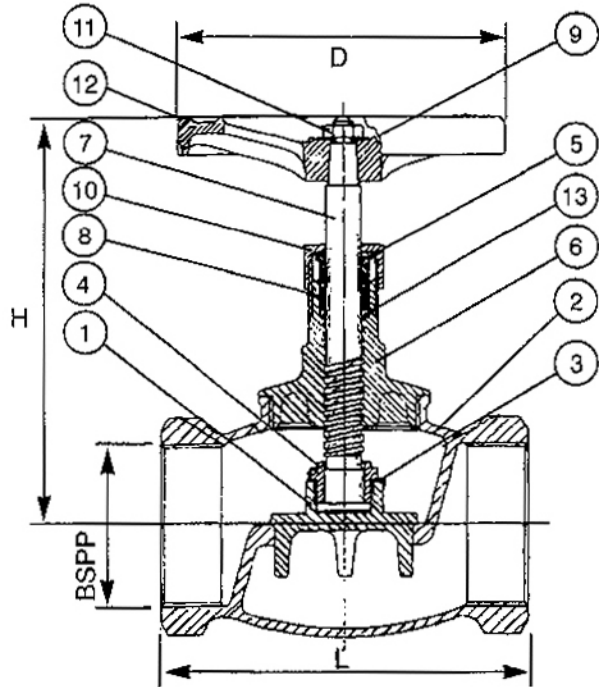


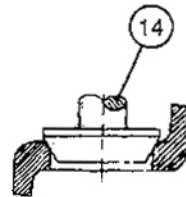
- Options:**
- Bronze Handwheels ①
 - Open-Shut Indicators ②
 - Locking Devices ③

■ **Pressures:** 2100 kPa CWP
 Steam: 1200 kPa @ 200°C

■ **Standards:** Dezincification Resistant
 BS 5154 – 1991:Globe Stop & Check Valves
 AS 3855: Materials to suit Potable
 Water Service



Valve available as
 SDNR – Controllable lift.
 Sizes 25mm ~ 80mm
 Fig No **TIMCL**



• Disc Construction
 15mm x 25mm

Dimensions

Size mm	8	10	15	20	25	32	40	50	65	80	100
L	•	•	56	59	73	87	92	114	143	165	•
H	•	•	83	95	97	133	152	165	185	216	•
D	•	•	55	65	65	90	90	90	150	150	•
Wt/kgs	•	•	0.4	0.6	0.85	1.6	2.0	3.1	4.7	6.8	•

ITEM	DESCRIPTION	MAT'L	STANDARD
14	DISC – SPINDLE	DR BRASS	AS1567 -352
13	SEAL RING	DR BRASS	AS1567 -352
12	HANDWHEEL	ZINC ALUM BRONZE	AS1874 AS1565
11	HANDWHEEL NUT	BRASS	
10	GLAND NUT	DR BRASS	AS1567 -352
9	NAMEPLATE		
8	GLAND PACKING	PTFE	AS1198
7	SPINDLE	DR BRASS	AS1567 -352
6	COVER – BONNET	GUNMETAL BRONZE	AS1565 CB3600M
5	GLAND	DR BRASS	AS1565 -352
4	DISC NUT	DR BRASS	AS1565 -352
3	LOCK NUT	DR BRASS	AS1565 -352
2	BODY	GUNMETAL BRONZE	AS1565 CB3600M
1	DISC	GUNMETAL BRONZE	AS1565 CB3600M



Braemar Valves Pty Ltd
 ABN 93 099 537 357
 5 Harley Crescent
 Condell Park NSW 2200

FIG No **T1M** **BRONZE GLOBE VALVE**
SCREWED CLASS 21
 PN 20

DRAWN	RJK	25.4.98	DRAWING NO. 10501-08
SCALE	/	NTS	

The detail contained in this sketch/drawing is the property of Braemar Valves Pty Ltd and cannot be copied or reprinted without permission from Braemar Valves Pty Ltd or their agents.