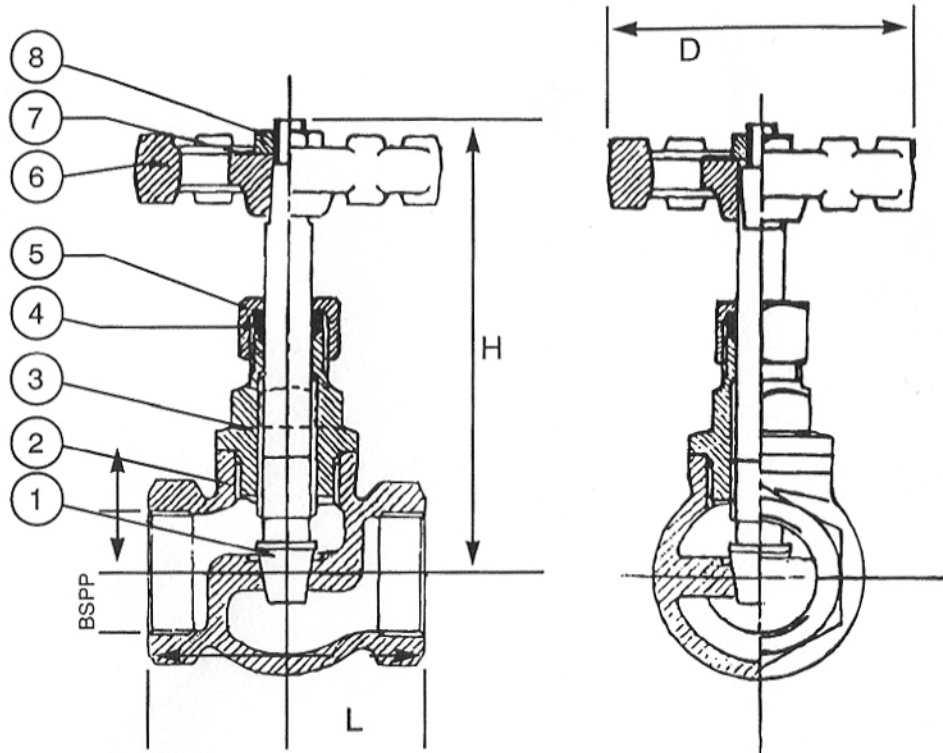


Options: Bronze Handwheels & 'T' Bars ①

■ **Pressures:** 2100 kPa CWP
Steam: 1400 kPa @ 200°C

■ **Standards:** Dezincification Resistant
BS 5154 – 1991: Globe Stop & Check Valves
AS 3855: Materials suitable for Potable
Water Service



Dimensions

Size mm	6 & 8	10	15	20	25	32	40	50	65	80	100
L	42	48	56	59
H	69	82	84	94
D	55	55	55	65
Wt/kgs	0.25	0.3	0.4	0.6

ITEM	DESCRIPTION	MAT'L	STANDARD
8	HANDWHEEL NUT	BRASS	
7	NAMEPLATE		
6	HANDWHEEL	ZINC ALUM BRONZE	AS1874 AS1565
5	GLAND NUT	DR BRASS	AS1567 -352
4	GLAND PACKING	PTFE	AS1198
3	COVER - BONNET	DR BRASS	AS1567 -352
2	BODY	GUNMETAL BRONZE	AS1565 C83600M
1	NEEDLE DISC SPINDLE	DR BRASS	AS1567 -352



Braemar Valves Pty Ltd
ABN 93 099 537 357
5 Harley Crescent
Condell Park NSW 2200

FIG No **T1N** **BRONZE NEEDLE VALVE**
SCREWED CLASS 21
PN 20

DRAWN	RJK	28.4.98	DRAWING NO.
SCALE	/	NTS	11101-05

The detail contained in this sketch/drawing is the property of Braemar Valves Pty Ltd and cannot be copied or reprinted without permission from Braemar Valves Pty Ltd or their agents.

FORM# 1297/1