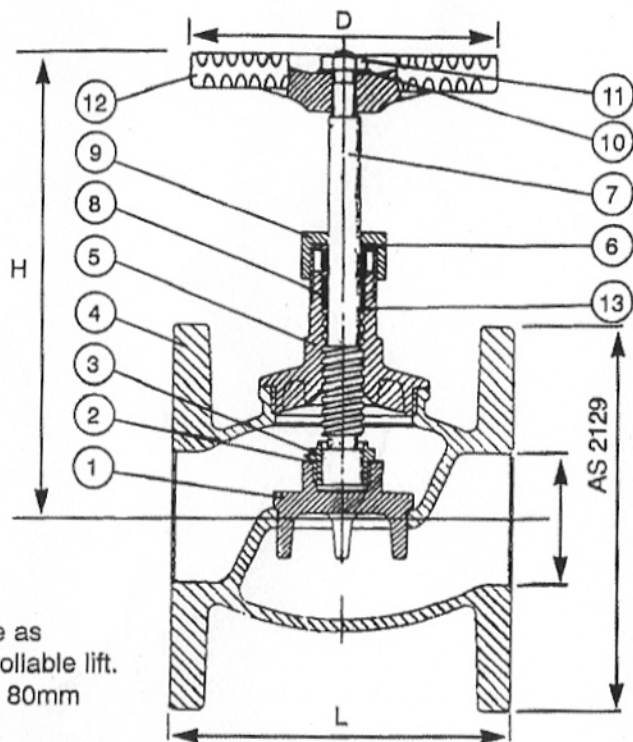


- Options:**
- Bronze Handwheels ①
 - Locking Devices ②
 - Open-Shut Indicators ③

■ **Pressures:** 2100 kPa
 Steam: 1200 kPa @ 200°C

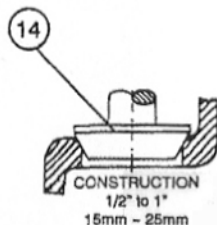
■ **Standards:** Dezincification Resistant
 BS 5154 – 1991: Globe Stop & Check Valves
 AS 3855: Materials suitable for Potable Water Service



Flanges:

AS2129 Table 'D' to 'H'

④ Available: ANSI · JIS · DIN



Valve available as SDNR – Controllable lift.
 Sizes 25mm ~ 80mm
 Fig No T2CL

Dimensions

Size mm	8	10	15	20	25	32	40	50	65	80	100
L	•	•	70	79	89	89	105	124	165	187	
H	•	•	95	98	117	146	156	187	219	238	
D	•	•	65	65	90	90	120	150	150	190	
Wt/kgs	•	•	•	•	2.8	4.5	5.0	9.0	12.0	15.6	

ITEM	DESCRIPTION	MAT'L	STANDARD
14	DISC – SPINDLE	DR BRASS	AS1567 -352
13	SEAL RING	DR BRASS	AS1567 -352
12	HANDWHEEL	ALUM ZINC BRONZE	AS1874 AS1565
11	HANDWHEEL NUT	BRASS	
10	NAMEPLATE		
9	GLAND NUT	DR BRASS	AS1567 -352
8	GLAND PACKING	PTFE GPI	AS1198
7	SPINDLE	DR BRASS	AS1567 -352
6	GLAND	DR BRASS	AS1567 -352
5	COVER – BONNET	GUNMETAL BRONZE	AS1565 C83600M
4	BODY	GUNMETAL BRONZE	AS1565 C83600M
3	LOCK NUT	DR BRASS	AS1567 -352
2	DISC NUT	DR BRASS	AS1567 -352
1	DISC	GUNMETAL BRONZE	AS1565 C83600M

ITEM	DESCRIPTION	MAT'L	STANDARD
------	-------------	-------	----------



Braemar Valves Pty Ltd
 ABN 93 099 537 357
 5 Harley Crescent
 Condell Park NSW 2200

FIG No **T2** **BRONZE GLOBE VALVE**
FLANGED CLASS 21
 PN 20

DRAWN	RJK	29.4.98	DRAWING NO. 10513-18
SCALE	—	NTS	

The detail contained in this sketch/drawing is the property of Braemar Valves Pty Ltd and cannot be copied or reprinted without permission from Braemar Valves Pty Ltd or their agents.