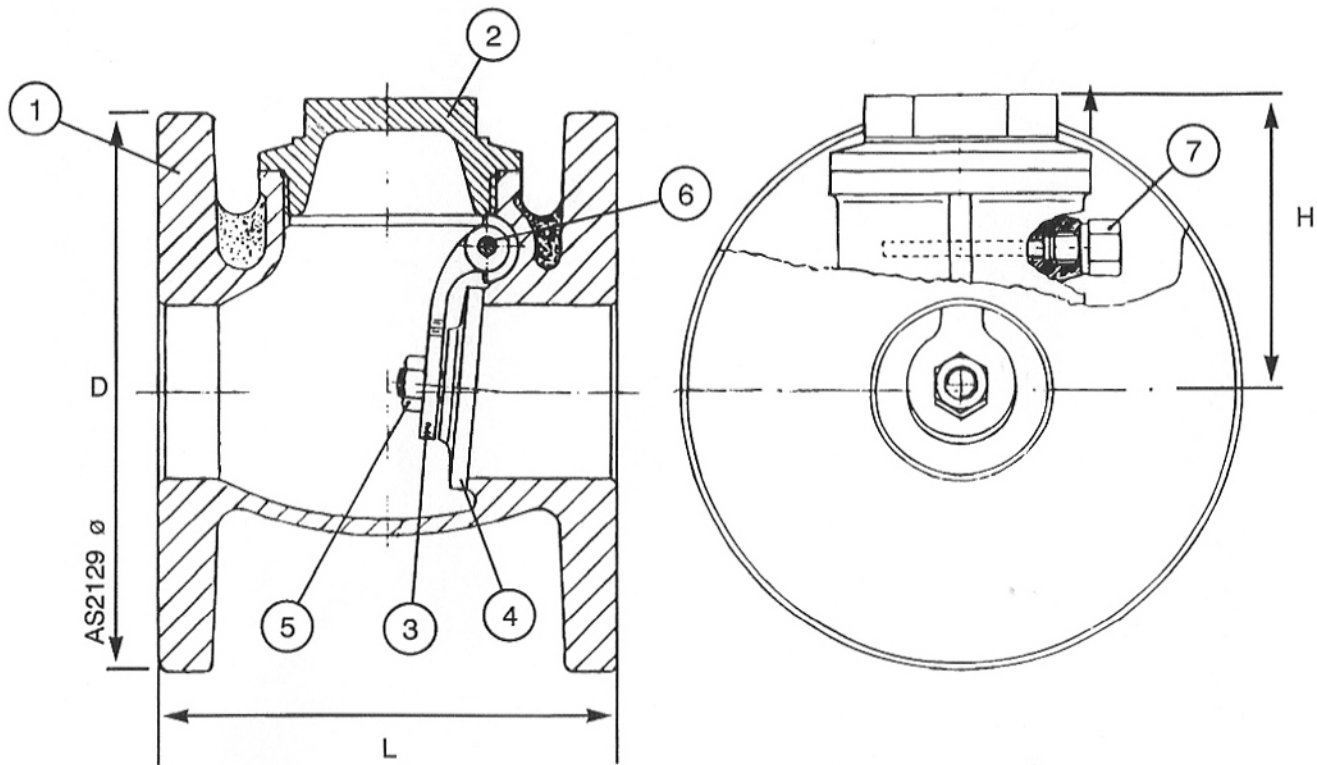


**Flanges:** To AS2129 Table 'F' (H)

④ Available: ANSI • JIS • DIN

■ **Pressures:** 2100 kPa CWP  
Steam: 1200 kPa @ 200°C

■ **Standards:** Dezincification Resistant  
AS 1628 – 1994: Copper Alloy Valves  
AS 3855: Materials suitable for Potable Water Service



**Dimensions**

Size mm	8	10	15	20	25	32	40	50	65	80	100
L	•	•	•	•	•	•		136	174	194	260
H	•	•	•	•	•	•		87	113	126	160
D	•	•	•	•	•	•		165	185	205	230
Wt/kgs	•	•	•	•	•	•		8.0	12.0	14.8	27.2

ITEM	DESCRIPTION	MAT'L	STANDARD
7	SPINDLE NUT	DR BRASS	AS1567 -352
6	SPINDLE – PIN	STAINLESS STEEL	ASTM A276 AISI316
5	DISC NUT	DR BRASS	AS1567 -352
4	DISC – FLAP	GUNMETAL BRONZE	AS1565 CB3600M
3	ARM	GUNMETAL BRONZE	AS1565 CB3600M
2	CAP – BONNET	GUNMETAL BRONZE	AS1565 CB3600M
1	BODY	GUNMETAL BRONZE	AS1565 CB3600M



**Braemar Valves Pty Ltd**  
ABN 93 099 537 357  
5 Harley Crescent  
Condell Park NSW 2200

FIG No **T4BF** BRONZE SWING CHECK VALVE FLANGED CLASS 21 PN 20

DRAWN	RJK	12.5.98	DRAWING NO.
			<b>11765-68</b>
SCALE	/	NTS	

The detail contained in this sketch/drawing is the property of Braemar Valves Pty Ltd and cannot be copied or reprinted without permission from Braemar Valves Pty Ltd or their agents.

FORM# 1297/1