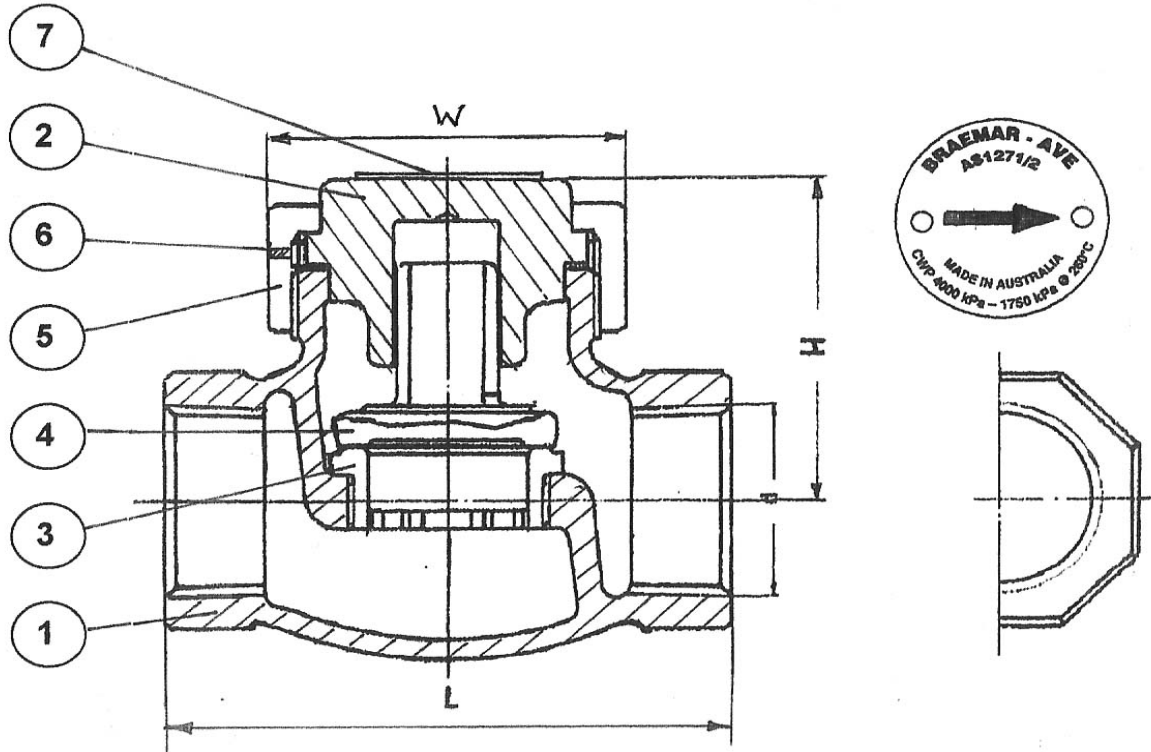


Options: Stainless Steel Spring. See T551

Pressures: 4000 kPa CWP
Steam: 1750 kPa @ 260 C

Standards: to Australian Standard
AS1271/2-1997



DIMENSIONS

Size mm	8.10.15	20	25	32	40	50	65	80
L	76	88	105	120	140	175	228	254
H	47	50	52	66	70	84	120	125
W	51	65	81	81	100	117	150	150
Wgt kg	0.7	1.15	1.85	2.7	3.7	6.8	14.0	16.0

No	DESCRIPTION	MAT'L	Standard
7	NAMEPLATE	Aluminium	
6	LOCKING SCREW	Stainless Steel	Gr 304
5	UNION NUT	Gunmetal DR Bronze	AS 1565 C83600
4	PISTON/DISC	Stainless Steel	AS 2837 -431
3	SEAT RING	Stainless Steel	AS 2837 -431
2	BONNET	Gunmetal DR Bronze	AS 1565 C83600
1	BODY	Gunmetal DR Bronze	AS 1565 C83600



Braemar Valves Pty Ltd

ABN 93 099 537 357

5 Harley Crescent, CONDELL PARK NSW 2200 Australia

Fig No:

T521

Bronze Stainless Steel
Lift Check Valve : AS 1271/2

The detail sketch/drawing is the Property of Braemar Valves Pty Ltd and cannot be copied or reprinted without the permission of Braemar Valves Pty Ltd or their agents

DRAWN : **RJK**

17.3.02

SCALE: NTS

DRAWING NO.

25208.80.