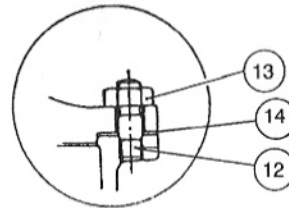
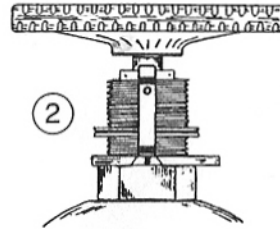
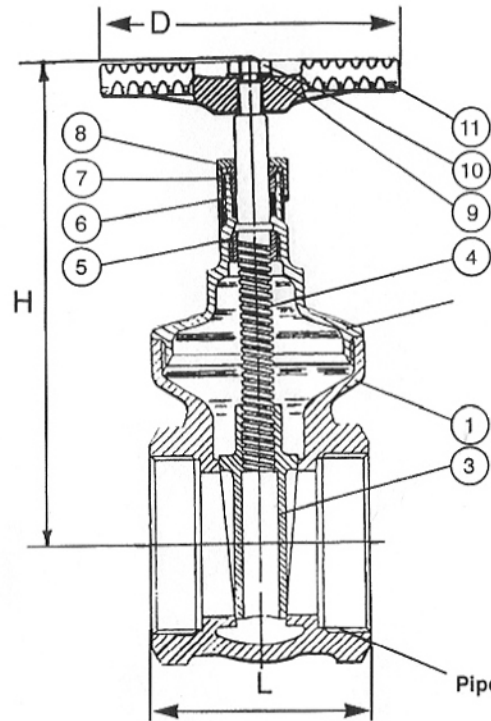


- Options:** Bronze Handwheels (1)
 Open-Shut Indicators (2)
 Locking Devices (3)

Pressures: 2100 kPa CWP
 Maximum Working Pressure @ 100°C

Standards: Dezincification Resistant
 AS 1628 – 1994: Copper Alloy Valves
 AS 3855: Bronze Materials suitable for Potable Water Services

*Suitability for Potable Water Services



NOTE
 Bolted Bonnet – Size 100mm

Pipe Threads: AS1722.2

Dimensions

Size mm	8	10	15	20	25	32	40	50	65	80	100
L	50	50	60	60	70	75	80	93	105	115	147
H	102	102	111	111	132	143	169	190	220	250	330
D	65	65	65	65	90	90	90	120	120	150	190
Wt/kgs	0.5	0.5	0.5	0.65	0.9	1.4	1.7	2.5	3.9	5.7	14.0

Other References
 †20613.20

ITEM	DESCRIPTION	MAT'L	STANDARD
14	STUD NUT	M.STEEL ZP	8 PCS
13	GASKET	NEO CORK	
12	STUD BOLT	M.STEEL ZP	8 PCS
11	HANDWHEEL	ZINC ALUM BRONZE	AS1874 AS1565
10	HANDWHEEL NUT	BRASS	
9	NAMEPLATE		
8	GLAND NUT	DR BRASS	AS1567 -352
7	GLAND	DR BRASS	AS1567 -352
6	GLAND PACKING	PTFE GPI BUSH	AS1198
5	RETAINING RING	DR BRASS	AS1567 -352
4	SPINDLE	DR BRASS	AS1567 -352
3	WEDGE – GATE	GUNMETAL BRONZE	AS1565 C83600M
2	COVER – BONNET	GUNMETAL BRONZE	AS1565 C83600M
1	BODY	GUNMETAL BRONZE	AS1565 C83600M



Braemar Valves Pty Ltd
 ABN 93 099 537 357
 5 Harley Crescent
 Condell Park NSW 2200

FIG No **T59M** BRONZE GATE VALVE
 SCREWED CLASS 21 PN 20

DRAWN	RJK	1.1.98	DRAWING NO. 10300.08†
SCALE	/	NTS	

The detail contained in this sketch/drawing is the property of Braemar Valves Pty Ltd and cannot be copied or reprinted without permission from Braemar Valves Pty Ltd or their agents.