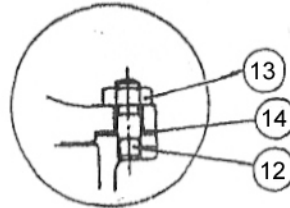
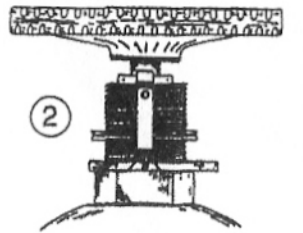
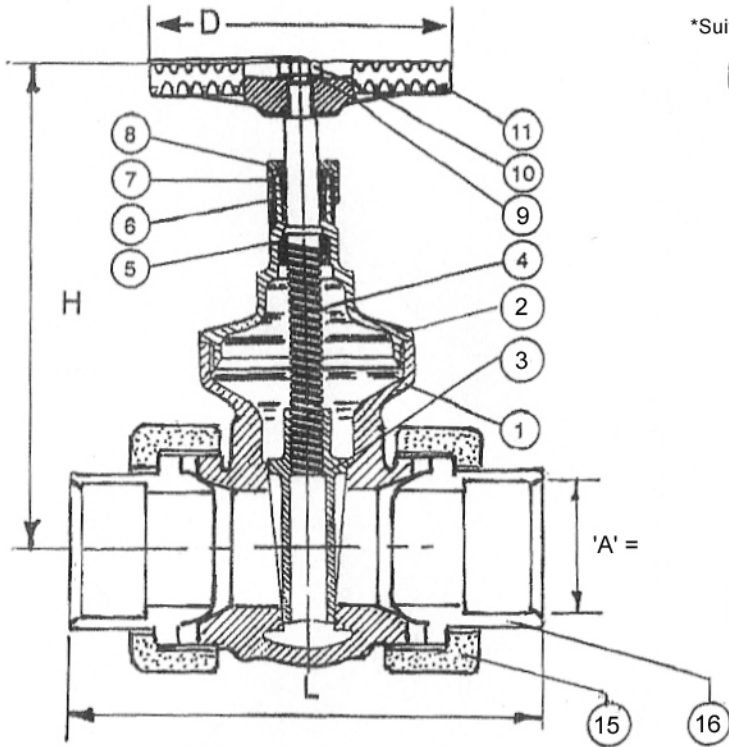


- Options:** Bronze Handwheels ①
 Open-Shut Indicators ②
 Locking Devices ③

*Suitability for Potable Water Services



NOTE
 Bolted Bonnet - Size 100mm

Dimensions

Size mm	8	10	15	20	25			CAPILLARY
L			88	98	111		1/2"	'A' = 15mm
H			111	111	132		3/4"	'A' = 22mm
D			65	65	90		1"	'A' = 28mm
Wt/kgs			0.7	0.9	1.2			

Other References
 †20613.20

■ **Pressures:** 2100 kPa CWP
 Maximum Working Pressure @ 100°C

■ **Standards:** Dezincification Resistant
 AS 1628 - 1994: Copper Alloy Valves
 AS 3855: Bronze Materials suitable for Potable Water Services

ITEM	DESCRIPTION	MAT'L	STANDARD
16	CAPILLARY	DR BRASS	AS1567 -352
15	UNION NUT	GUNMETAL BRONZE	AS1565 C83600M
13	GASKET	NEO CORK	
12-14	STUD BOLT - NUT	M. STEEL ZP	8 PCS
11	HANDWHEEL	ZINC-ALUM BRONZE	AS1674 AS1565
10	HANDWHEEL NUT	BRASS	
9	NAMEPLATE	ALUMINIUM	
8	GLAND NUT	DR BRASS	AS1567 -352
7	GLAND	DR BRASS	AS1567 -352
6	GLAND PACKING	PTFE GPI BUSH	AS1198
5	RETAINING RING	DR BRASS	AS1567 -352
4	SPINDLE	DR BRASS	AS1567 -352
3	WEDGE - GATE	GUNMETAL BRONZE	AS1565 C83600M
2	COVER - BONNET	GUNMETAL BRONZE	AS1565 C83600M
1	BODY	GUNMETAL BRONZE	AS1565 C83600M



Braemar Valves Pty Ltd
 ABN 93 099 537 357
 5 Harley Crescent
 Condell Park NSW 2200

FIG No **T59** M2U **BRONZE GATE VALVE**
 CLASS 21
 CAPILLARY PN 20

DRAWN	RJK	26.9.00	DRAWING NO. 10300.301†
SCALE	/	NTS	

The detail contained in this sketch/drawing is the property of Braemar Valves Pty Ltd and cannot be copied or reprinted without permission from Braemar Valves Pty Ltd or their agents.