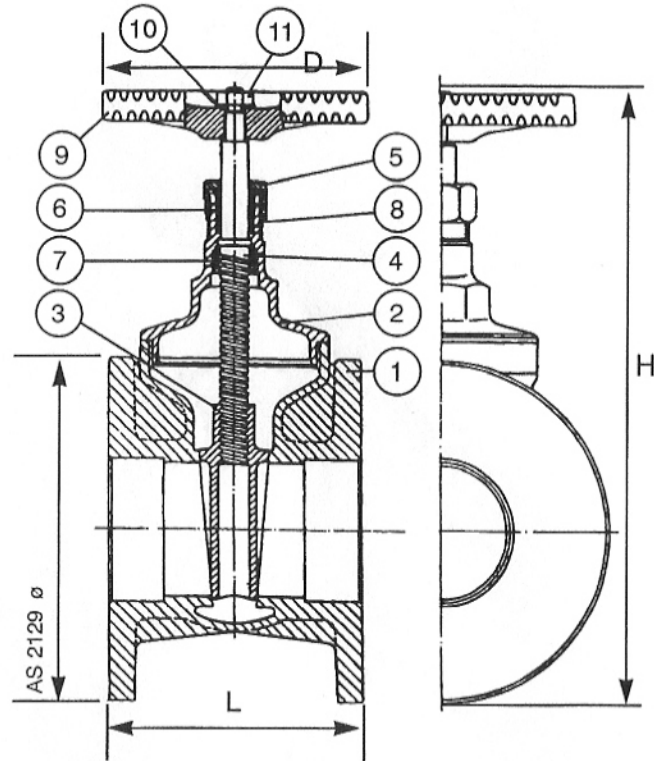
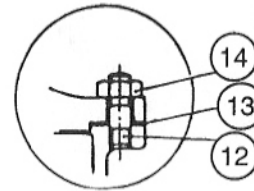
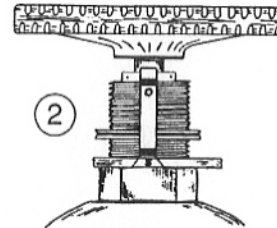


- Options:**
- Bronze Handwheels ①
  - Open-Shut Indicators ②
  - Locking Devices ③

- **Pressures:** 1400 kPa CWP  
Maximum Working Pressure @ 100°C
- **Standards:** Dezincification Resistant  
AS 1628 – 1994: Copper Alloy Valves (Mod)  
AS 3855: Materials to suit Potable  
Water Service



\*Suitability for Potable Water Services



**NOTE**  
Bolted Bonnet – Size 100mm

**Flanges:**

AS2129: Table 'D' & 'E'

④ Available: ANSI · JIS · DIN

**Dimensions**

Size mm	8	10	15	20	25	32	40	50	65	80	100
L	•	•	70	73	88	95	102	114	120	140	178
H	•	•	105	111	140	159	178	203	241	260	343
D	•	•	65	65	90	90	90	120	120	150	190
Wt/kgs	•	•	1.6	2.0	2.8	3.8	4.8	7.2	8.5	12.0	23.6

14	NUT	M.STEEL ZP	8 PCS
13	GASKET	NEO CORK	
12	STUD BOLT	M.STEEL ZP	8 PCS
11	HANDWHEEL NUT	BRASS	
10	NAMEPLATE		
9	HANDWHEEL	ZINC ALUM BRONZE	AS1874 AS1565
8	GLAND PACKING	PTFE GPI BUSH	AS1198
7	RETAINER RING	BRASS DR	AS1567 -352
6	GLAND FOLLOWER	DR BRASS	AS1567 -352
5	GLAND NUT	DR BRASS	AS1567 -352
4	SPINDLE	DR BRASS	AS1567 -352
3	WEDGE	GUNMETAL BRONZE	AS1565 C83600M
2	COVER – BONNET	GUNMETAL BRONZE	AS1565 C83600M
1	BODY	GUNMETAL BRONZE	AS1565 C83600M

ITEM	DESCRIPTION	MAT'L	STANDARD
------	-------------	-------	----------



**Braemar Valves Pty Ltd**  
ABN 93 099 537 357  
5 Harley Crescent  
Condell Park NSW 2200

FIG No **T60M** BRONZE GATE VALVE  
FLANGED CLASS 14  
PN 16

DRAWN	RJK	1.12.97	DRAWING NO. <b>10013-21</b>
SCALE	/	NTS	

The detail contained in this sketch/drawing is the property of Braemar Valves Pty Ltd and cannot be copied or reprinted without permission from Braemar Valves Pty Ltd or their agents.

FORM# 1297/1